

Sparmatic Comet

OPERATING INSTRUCTIONS



LEGAL NOTICE

Operating Instructions Sparmatic Comet Electronic Energy-Saving Controller

Manufacturer

EUROtronic Technology GmbH
Südweg 1
36396 Steinau-Ulmbach
Germany
www.eurotronic.org

Operating Instructions

Status 2023.12

Version 1.2 / EN

Publisher

Ingenieurbüro FORMAT GmbH
Ebertstraße 80
26382 Wilhelmshaven
Germany
www.format-docu.de

Legal Information

All brand names and trademarks mentioned in this document and, where applicable, protected by third-party rights, are subject without restriction to the provisions of the applicable trademark law and the ownership rights of the respective registered owners. Comply with all local and regional laws and regulations as well as the safety regulations referred to in this document.

Copyright Notice

The contents of this document are protected by copyright.

The disclosure, transfer and any other distribution of the contents of this document to third parties, the making of copies, transcripts and other reproductions as well as utilisation and any other use are prohibited - even in part - without the prior, express and written consent of the author.

© 2023 All rights reserved.

CONTENTS



These operating instructions will guide you through the commissioning and use of your Sparmatic Comet and answer all essential questions. Read these operating instructions carefully before using your Sparmatic Comet. Hand over all documents when passing it on to third parties.

1	Safety Information	4
1.1	Depiction of warnings	4
1.2	Warnings	5
2	Scope of Delivery	7
3	Overview	8
3.1	Proper use	8
4	Controls and Display Elements	9
5	Putting into Operation	10
5.1	Inserting batteries	10
5.2	Setting date and time	11
5.3	Installing on radiator	12
5.4	Adapter overview	14
5.5	Adapting Sparmatic Comet	16
6	Removing Sparmatic Comet	17
7	Operating Modes & Functions	18
7.1	Basic operating modes	18
7.2	Additional functions	20
7.3	Resetting to factory settings	22
8	Troubleshooting	23
9	Cleaning and Storage	24
10	Appendix	25
10.1	Technical data	25
10.2	Support and contact	25
10.3	Disposal	26
10.4	Simplified declaration of conformity	27
10.5	Warranty notice	27
10.6	Manufacturer	27

1 SAFETY INFORMATION

In addition to the safety information in these operating instructions, all other available sources must also be observed.

The areas of use defined in the written explanations of the **proper use** must be observed.

1.1 DEPICTION OF WARNINGS

The warnings used in these operating instructions have the following meaning:



CAUTION!:

Moderate to minor personal injury may occur if warnings with this signal word are disregarded.

→ Probability of occurrence: possible



IMPORTANT!

Material damage can occur if warnings with this signal word are disregarded.

→ Probability of occurrence: possible



INFORMATION

Contains additional information.

1.2 WARNINGS

When operating your Sparmatic Comet and its components, hazards may occur that can be avoided by observing the following warnings.



CAUTION!:

Serious risk of injury caused by exploding batteries!

Improper handling of batteries can lead to an explosion.

- Do not heat batteries and do not throw batteries into open fire.
- Do not place batteries in direct sunlight.
- Protect batteries from excessive heat.
- Do not short-circuit the batteries.
- Never attempt to charge non-rechargeable batteries.
- Never dismantle batteries.
- Do not use new and used batteries together.
- When inserting the batteries, observe the correct polarity (+/-).
- Before inserting the batteries, clean the batteries and the contacts in the thermostat.



CAUTION!:

Serious risk of injury caused by chemical burns!

Leaking battery acid can cause burns.

- Avoid contact of battery acid with skin, eyes and mucous membranes.
- In case of contact with battery acid, immediately rinse the affected areas with plenty of clean water and consult a doctor.



CAUTION!:

Serious risk of injury caused by malfunction!

Malfunctions can lead to injuries.

- NEVER carry out repairs to your Sparmatic Comet yourself.
- Do not open your Sparmatic Comet.
- Do not carry out any modifications or conversions on your Sparmatic Comet.
- In the event of an error, contact Customer Service.



CAUTION!:

Risk of fatal injury and accidents to infants and children!

The Sparmatic Comet and packaging material represent a risk of choking and suffocation.

- ➔ Never leave children unsupervised with your Sparmatic Comet or the packaging material. Children often underestimate the risks involved. Always keep children away from your Sparmatic Comet and the packaging material.
- ➔ Keep batteries out of reach of children. Should a battery be swallowed, seek medical attention immediately.
- ➔ Your Sparmatic Comet is not a toy.



IMPORTANT!

Material damage and malfunction possible!

Your Sparmatic Comet can be used by children aged from 8 years and above and persons with reduced physical, sensory or mental capabilities or lack of experience and knowledge if they have been supervised or instructed in the safe use of your Sparmatic Comet and understand the hazards involved.

- ➔ Children may not play with your Sparmatic Comet.
- ➔ Cleaning and user maintenance must not be carried out by children without supervision.



IMPORTANT!

Material damage and malfunction possible!

Environmental influences can affect the functions of your Sparmatic Comet.

- ➔ Keep your Sparmatic Comet away from direct sunlight.
- ➔ Only use your Sparmatic Comet in a dry, dust-free environment.



IMPORTANT!

Material damage and malfunction possible!

Damaged components and/or malfunctions will prevent your Sparmatic Comet from functioning properly.

- ➔ If material damage and/or malfunctions occur, contact the Customer Service of Eurotronic Technology GmbH.

2 SCOPE OF DELIVERY

Check the scope of delivery for completeness as well as visual and technical defects before putting your Sparmatic Comet into operation.

- 1× Sparmatic Comet
- 1× Operating Instructions
- 3× Adapter (Danfoss RA/RAV/RAVL)
- 1× Screw for adapter



IMPORTANT!

Material damage and malfunction possible!

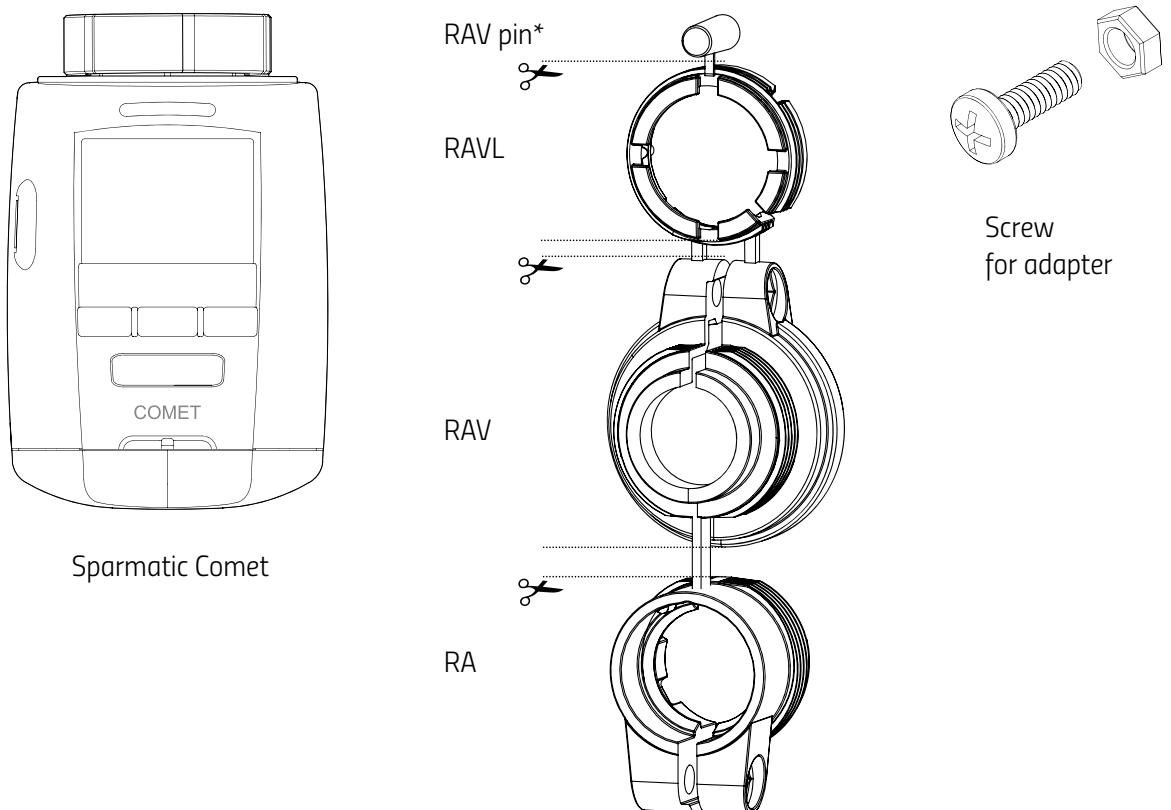
Damaged components and/or malfunctions will prevent your Sparmatic Comet from functioning properly.

→ If material damage and/or malfunctions occur, contact the Customer Service of Eurotronic Technology GmbH.



INFORMATION

The following drawings are for the purpose of illustration and are not necessarily to scale. EUROtronic Technology GmbH reserves the right to change the design or dimensions without prior notice.



*When using the RAV adapter, the RAV pin is required to extend the valve plunger.

3 OVERVIEW

Thank you for choosing a product from EUROtronic Technology GmbH. Your Sparmatic Comet is a configurable energy-saving controller for the radiator featuring modern, simple operation. It automatically regulates your room temperature according to your specifications.

Your Sparmatic Comet helps you to effectively reduce your heating costs.

Development and production are 100% "Made in Germany"; which guarantees premium quality and technology. These operating instructions will help you to get your Sparmatic Comet up and running quickly and easily.

By the way...

Are you already familiar with our Progmatic programming sticks?



You can set your Sparmatic Comet manually or you can use the convenient Progmatic programming stick to transfer your individually set heating and economy times to all energy-saving controllers with programming port in your home in a matter of seconds!

Detailed information on the Progmatic programming sticks is available at:

www.eurotronic.org

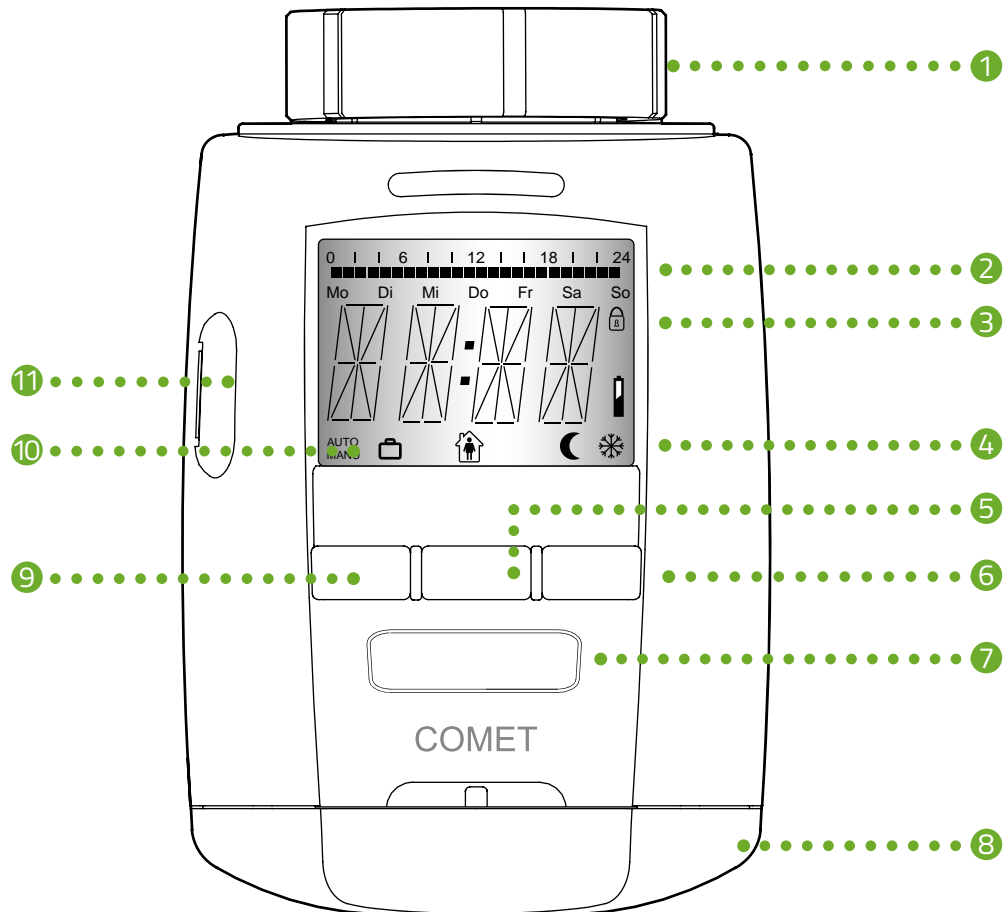
3.1 PROPER USE

Your Sparmatic Comet is used to regulate a radiator valve. This makes it possible to regulate the room temperature time-controlled. Your Sparmatic Comet moves a radiator valve to control the flow of heat into the radiator. It can be installed on all common radiator valves. Only use your Sparmatic Comet indoors.

Any use other than that described in these operating instructions is not in accordance with the proper use and will result in the warranty being voided and exclusion of liability. It is forbidden to complete any unauthorised modifications, conversions and repairs. Your Sparmatic Comet is intended for private use only.

4 CONTROLS AND DISPLAY ELEMENTS

The following section describes the controls and display elements of your Sparmatic Comet.



- | | |
|-----------------------------|-------------------------------------|
| ① Union nut | ⑦ Setting wheel |
| ② Heating times | ⑧ Battery compartment |
| ③ Child safety lock active | ⑨ button – Main menu/one menu back |
| ④ Function symbols (, , ,) | ⑩ AUTO or MANU mode active |
| ⑤ button - Confirm | ⑪ Programming port* |
| ⑥ button – Timer function | |



INFORMATION

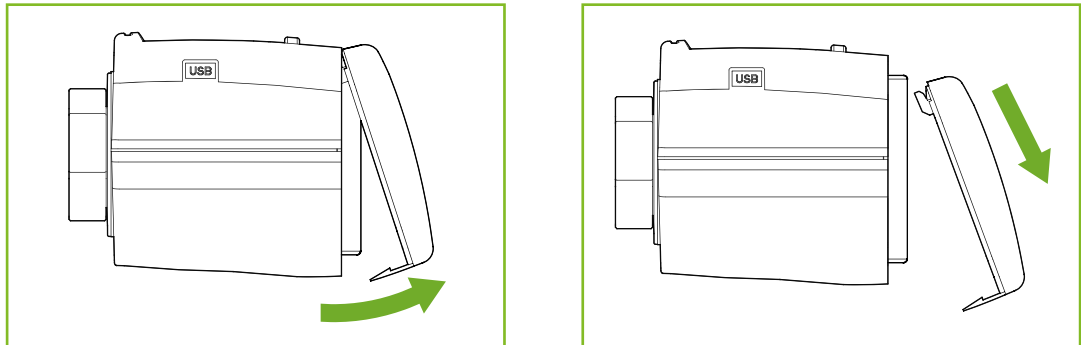
*The programming port is intended exclusively for connecting the Progmatic programming stick. Do not connect any other devices to the programming port of your Sparmatic Comet.

5 PUTTING INTO OPERATION

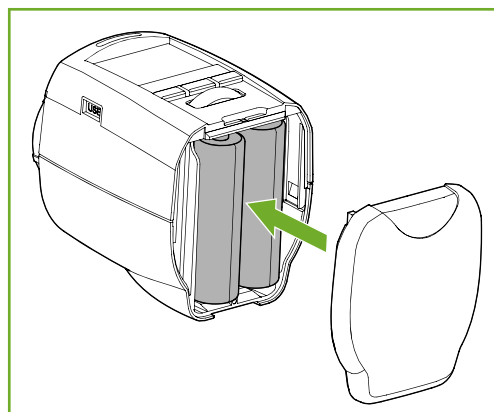
The following section describes the installation and initial operation of your Sparmatic Comet.

5.1 INSERTING BATTERIES

Before installation, insert batteries in your Sparmatic Comet.



1. Press the battery compartment cover upwards and remove it.



2. Insert two suitable batteries (1.5 V AA/LR6) as shown.
Pay attention to the correct polarity and do not use rechargeable batteries!
3. Replace the battery compartment cover.
 - The battery compartment cover audibly clicks into place.
 - You have successfully inserted the batteries.




INFORMATION

After each battery change, stored heating programmes are retained. If necessary, check the date and time (see  Section **5.2 Setting date and time on Page 11**).



INFORMATION

Note that your Sparmatic Comet is not in the installation mode after inserting the batteries. Set the date and time for this purpose (see  Section **5.2 Setting date and time on Page 11**).

5.2 SETTING DATE AND TIME

During initial operation, the year flashes in the display after inserting the batteries.


1. Set the year with the setting wheel and confirm with the **OK** button.
2. Set the month with the setting wheel and confirm with the **OK** button.
3. Set the day with the setting wheel and confirm with the **OK** button.
4. Set the hour with the setting wheel and confirm with the **OK** button.
5. Set the minute with the setting wheel and confirm with the **OK** button.
 - You have set the date and time.
 - **PrEP** appears in the display.
 - The motor retracts completely to facilitate installation.
 - The display shows **AdAP** and your Sparmatic Comet is in the adaptation mode. Do not press any other button and continue with the installation.



INFORMATION

Your Sparmatic Comet automatically switches to summer and winter time. You can also set the date and time at a later time using the **TIME** menu item. Note that your Sparmatic Comet does not switch to the adaptation mode and the motor does not completely ramp up.

5.3 INSTALLING ON RADIATOR

After you have set the time and date (see  Section 5.2 **Setting date and time on Page 11**), install your Sparmatic Comet on the desired radiator.

The Sparmatic Comet can be installed on all known valve bodies (see adapter list at www.eurotronic.org/service/faq).



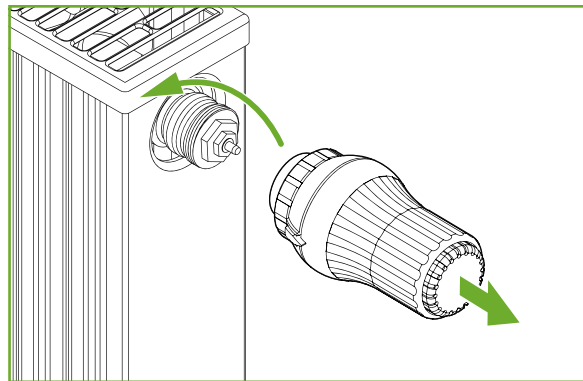
CAUTION!:

Burns caused by hot radiator valve!

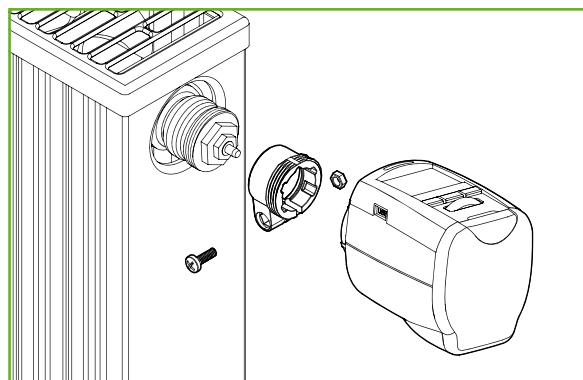
Touching can cause burns to the hand.

Avoid contact of battery acid with skin, eyes and mucous membranes.

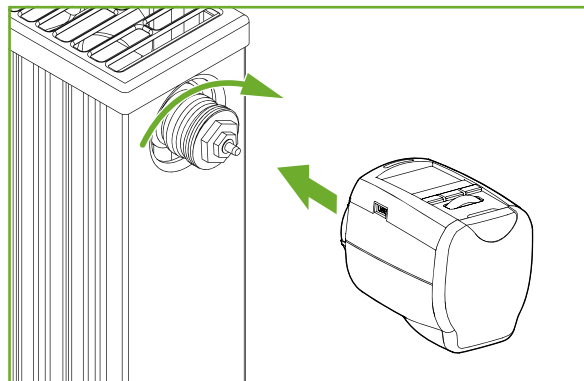
- ➔ Allow the radiator to cool down before installing, removing or troubleshooting your Sparmatic Comet!




1. Open the current thermostatic head completely. Loosen the fastening and pull the thermostatic head off the radiator.




2. Optional: Select a suitable adapter from the scope of delivery. For additional information on the adapters, please see the  Section 5.4 **Adapter overview on Page 14**.



3. Put your Sparmatic Comet on the radiator and turn the union nut clockwise.
 - You have successfully installed your Sparmatic Comet.
 - Following installation, start the adaptation, see  Section **5.5 Adapting Sparmatic Comet** on **Page 16**.

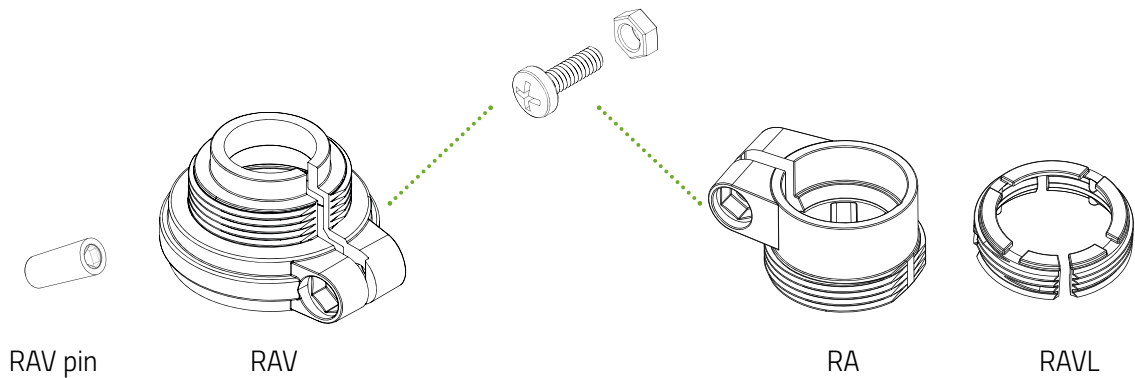


INFORMATION

For later assembly, select the **INST** item in the menu with the setting wheel and confirm with the  button. **AdAP** is shown in the display of your Sparmatic Comet. Only install your Sparmatic Comet in this position.

5.4 ADAPTER OVERVIEW

The following overview contains information about the valves and the required adapters. The adapters for Danfoss RAV, Danfoss RA and Danfoss RAVL are included with your Sparmatic Comet. When using the Danfoss RAV adapter, the RAV pin must be inserted on the valve plunger.

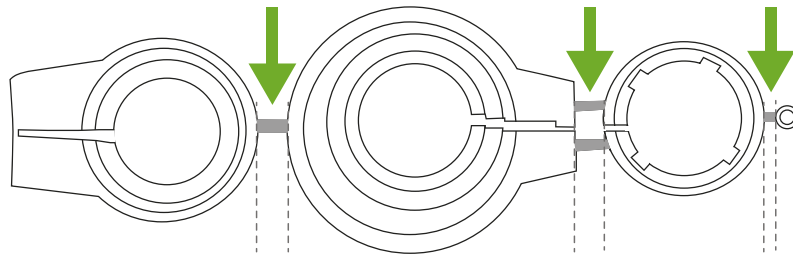


Valve	Thread dimension	Adapter
Heimeier	M30 x 1.5 mm	Not required
Junkers Landys+Gyr	M30 x 1.5 mm	Not required
MNG	M30 x 1.5 mm	Not required
Honeywell	M30 x 1.5 mm	Not required
Braukmann	M30 x 1.5 mm	Not required
Herz	M28 x 1.5 mm	Required; not in scope of delivery
Comap	M28 x 1.5 mm	Required; not in scope of delivery
Vaillant	30.5 mm	Required; not in scope of delivery
Oventrop	M30 x 1.0 mm	Required; not in scope of delivery
Meges	M38 x 1.5 mm	Required; not in scope of delivery
Ondal	M38 x 1.5 mm	Required; not in scope of delivery
Giacomini	22.6 mm	Required; not in scope of delivery
Rosswainer	M33 x 2.0 mm	Required; not in scope of delivery
Markaryd	M28 x 1.0 mm	Required; not in scope of delivery
Ista	M32 x 1.0 mm	Required; not in scope of delivery
Vama	M28 x 1.0 mm	Required; not in scope of delivery
Pettinaroli	M28 x 1.5 mm	Required; not in scope of delivery
T+A	M28 x 1.5 mm	Required; not in scope of delivery
Gampper 1/2/6	M20	Required; not in scope of delivery
Danfoss RA/RAV/RAVL	25.5/30.5/30 mm	Included in scope of delivery



INFORMATION

Remove the connecting pieces of the plastic adapters completely (see illustration) before using one of the adapters included! For Danfoss RAV and Danfoss RA, use the screw and nut provided.



CAUTION!:

Danger of becoming trapped between the adapter halves!
Carelessness when using adapters can lead to injuries.

→ Take care not to become trapped between the adapter halves during installation!



CAUTION!:

Danger of being cut!

The adapters supplied and the plunger extension are connected by plastic bars. Fractures may be sharp-edged.

→ Be careful not to cut your fingers during installation!

You can purchase further metal adapters for a fee from our partners. You will find an overview of the metal adapters and corresponding ordering options under the following link:

<https://eurotronic.org/produkte/zubehoer/metalladapter/>

For assistance in identifying your valve, please refer to the "Adapter list" section under the following link:

<https://eurotronic.org/service/faq>

5.5 ADAPTING SPARMATIC COMET

After successful installation, your Sparmatic Comet can begin with the adaptation. The prerequisite is that **AdAP** is shown in the display of your Sparmatic Comet.

1. Press the  button.

→ Your Sparmatic Comet begins the adaptation process.

When adapting, your Sparmatic Comet adapts to the stroke of your lower valve section. For this purpose, the valve is opened and closed several times to detect the respective end points. The process may take a moment. After successful adaptation, your Sparmatic Comet switches to normal operation.



INFORMATION

If a new adaptation is necessary (e.g. if your radiator does not become cold in the OFF position), select the item **AdAP** in the menu and carry out the adaptation again.


If a problem occurs with your Sparmatic Comet, a new adaptation is necessary. Carry out the following steps for this purpose:

1. Open the battery compartment cover of your Sparmatic Comet.
2. Remove the batteries.
3. Wait for approx. 10 seconds.
4. Reinsert the batteries.
5. Close the battery compartment cover.

→ Your Sparmatic Comet restarts and is then in the adaptation mode.

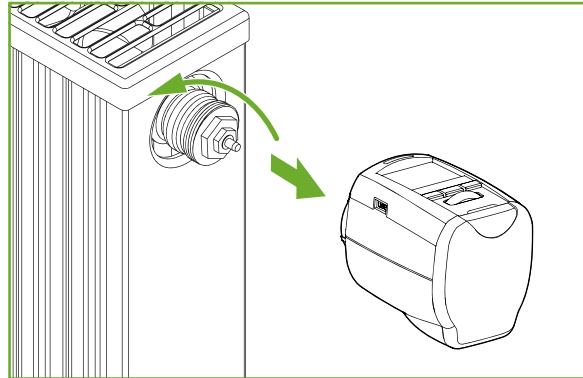


INFORMATION

Please note that your Sparmatic Comet must be re-adapted after each battery change. Stored heating programmes are retained. If necessary, check the date and time (see  Section **5.2 Setting date and time on Page 11**).

6 REMOVING SPARMATIC COMET

A prerequisite for removing your Sparmatic Comet is that **ADAP** is shown in the display.



CAUTION!:

Burns caused by hot radiator valve!

Touching can cause burns to the hand.

Avoid contact of battery acid with skin, eyes and mucous membranes.

→ Allow the radiator to cool down before installing, removing or troubleshooting your Sparmatic Comet!

1. Turn the setting wheel beyond the highest temperature of 28 °C.
→ **ON** appears in the display.
2. Turn the union nut anti-clockwise.
3. Pull your Sparmatic Comet off the valve (see illustration).
→ You have removed your Sparmatic Comet.

7 OPERATING MODES & FUNCTIONS

The following section describes the operating modes and other functions of your Sparmatic Comet.

7.1 BASIC OPERATING MODES

MANU MODE

In the MANU mode, your Sparmatic Comet regulates according to the temperatures set manually with the setting wheel:

AUTO MODE

In the AUTO mode, your Sparmatic Comet alternates between two temperatures according to the set heating programme:

 **Comfort temperature** (factory setting 21°C)

 **Economy temperature** (factory setting 16°C)

The heating and economy times are set in the heating programme. You can set a maximum of 8 switching points per day. Your Sparmatic Comet is set to the following default setting at the factory:

Heating time Heating to comfort temperature
(Factory setting: 1st heating time at 7 a.m.)

Economy time Reduction to economy temperature
(Factory setting: 1st economy time at 10 p.m.)

SETTING HEATING AND ECONOMY TIMES

With the Sparmatic Comet you can set 4 heating and 4 economy times per day – for each day individually or for several days in a block.

DAY1 to DAY7 stand for the respective weekdays from Monday to Sunday. In addition, the corresponding days are shown below the bar as abbreviations in the display.



Forming blocks

- T1–5 = same program Monday to Friday
- T1–6 = same program Monday to Saturday
- T1–7 = same program Monday to Sunday

For days that are not programmed, the factory settings remain active.

Setting individual program

Set an individual program:

1. Navigate to the menu item **PrO** and confirm with the **OK** button.
→ The display shows DAY1 for Monday.
2. Select the day/block with the setting wheel and confirm with the **OK** button.
3. Use the setting wheel to set the start of the **1st heating time**  and confirm with the **OK** button.
4. Use the setting wheel to set the start of the **1st economy time**  and confirm with the **OK** button.
5. Set additional heating/economy times if required.
6. If you do not want to set any more heating/economy times, press the **OK** button twice to confirm the -- -- display. First confirm the heating time and then the economy time (the respective symbols are shown in the display).
→ The next day to be programmed appears in the display.
7. If you do not want to set another day, press the **MENU** button to save the settings.
→ Programming is complete and the display shows the temperature.



Your Sparmatic Comet heats in the AUTO mode according to your set program.



INFORMATION

You can also overwrite individual days with different times within blocks.

Setting comfort and economy temperature

1. Navigate to the menu item **TEmP** and confirm with the **OK** button.
2. Set the **comfort temperature**  with the setting wheel and confirm with the **OK** button.
3. Set the **economy temperature**  with the setting wheel and confirm with the **OK** button.
→ Your Sparmatic Comet then switches to the set heating program.



INFORMATION

If you turn the setting wheel beyond the highest temperature of 28 °C, **ON** is shown in the display. The valve is completely open.

If you turn the setting wheel beyond the lowest temperature of 8 °C, **OFF** is shown in the display. Frost protection is active.

Maximum energy savings are achieved at an economy temperature that is approx. 5 °C below the comfort temperature.

MANUAL OPERATION

The temperature can be changed at any time using the setting wheel. In the AUTO mode, this remains unchanged until the next switching point. Your Sparmatic Comet then switches to the set heating programme.

7.2 ADDITIONAL FUNCTIONS


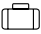
VENTILATION DETECTION

If the temperature drops sharply due to an open window, your Sparmatic Comet automatically closes the heating valve for 10 minutes to save energy. **WIND** appears in the display. Your Sparmatic Comet then returns to normal operation. Set the window function individually:

1. Navigate to the menu item **WIND** and confirm with the **OK** button.
2. Set the desired sensitivity (**HIGH** = high, **MID** = medium, **LOW** = low) with the setting wheel and confirm with the **OK** button.
3. Set the desired time period (factory setting 10 minutes) with the setting wheel and confirm with the **OK** button.
→ You have set the ventilation detection.

HOLIDAY FUNCTION

You can set a freely selectable temperature for the time you are absent. After the set time has elapsed, the heating programme set by you runs again automatically.

1. Navigate to the menu item **HOLI** and confirm with the **OK** button.
2. Use the setting wheel to set the date and time for the beginning of the period of absence and confirm with the **OK** button.
3. Use the setting wheel to set the date and time for the end of the period of absence and confirm with the **OK** button.
4. Set the temperature with the setting wheel and confirm with the **OK** button.
→ As soon as the holiday period begins, the  symbol appears in the display. After the set absence period has elapsed or by pressing the **MENU** button, the  symbol goes out.


OFFSET (TEMPERATURE ADJUSTMENT)

If the temperature felt differs from the set temperature, you can perform a temperature adjustment:

1. Navigate to the menu item **OFFS** and confirm with the **OK** button.
→ The degree setting 0.0°C flashes in the display.
2. Set the desired adjustment (from -5 to +5°C) of the temperature with the setting wheel and confirm with the **OK** button.
→ You have set the temperature adjustment.

BUTTON LOCK/CHILD SAFETY DEVICE

To protect against unauthorised operation, you can lock the buttons of your Sparmatic Comet:

1. Press the **MENU** + **OK** buttons simultaneously for approx. 2 seconds.
→ The  symbol is shown in the display.



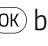


INFORMATION

Press the **MENU** + **OK** buttons again simultaneously for approx. 2 sec. to cancel the button lock.

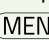
TIMER FUNCTION

With the timer function, any temperature can be set for an individual period of time. This can be useful, for example, at a party:

1. Press the **Timer**  button.
2. Set the **period of time** with the setting wheel and confirm with the  button.
3. Set the **temperature** with the setting wheel and confirm with the  button.
→ You have set the timer function.



INFORMATION

A manual temperature change is then not possible in the selected period; the setting wheel is locked. Press the  button to cancel locking.

FROST AND LIME PROTECTION

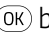
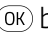
The frost protection and limescale protection functions are automatically active.

Frost protection: If the temperature drops below 8°C, the Sparmatic Comet opens the valve until the temperature rises above 8°C again. This prevents the radiators from freezing.

Lime protection: To prevent the radiator valves from calcifying, the Sparmatic Comet carries out a limescale protection run 1× a week (Friday morning).

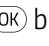
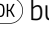
HEATING BREAK/CLOSE VALVE

You can close the valve if necessary.



1. Navigate to the menu item **MODE** and confirm with the  button.
2. Select **MANU** with the setting wheel and confirm with the  button.
3. Use the setting wheel to set the temperature in the display to **OFF**.
→ The valve is closed and operates without a time programme. The limescale protection function 1× weekly remains active.
→ Select **AUTO** in the menu to restart the heating programme you have set.

SUMMER AND WINTER TIME CHANGEOVER

The automatic summer/winter time changeover is switched on at the factory.

1. Navigate to the menu item **dSt** and confirm with the  button.
2. Use the setting wheel to select **ON** (setting switched on) or **OFF** (setting switched off) and confirm with the  button.
→ You have set the automatic summer and winter time.

SETTING LCD DISPLAY STANDBY

1. Navigate to the menu item **STBY** and confirm with the  button.
2. Select **ON** (stand-by mode switched on) or **OFF** (stand-by mode switched off) with the setting wheel and confirm with the  button.
→ When the temperature is changed or the menu is opened, the display automatically switches to the stand-by mode after approx. 30 seconds. When the button is pressed once, the display wakes up and switches off after 60 seconds.

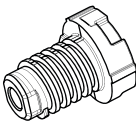
7.3 RESETTING TO FACTORY SETTINGS

If problems occur, it may be helpful to reset your Sparmatic Comet to the factory settings.

1. Navigate to the menu item **rES** and confirm with the **OK** button.
 - **YES?** is shown in the display.
2. Confirm with the **OK** button.
 - Your Sparmatic Comet is in the state it was delivered in.
 - If necessary, carry out initial operation, see Section **5 Putting into Operation on Page 10**.

8 TROUBLESHOOTING

Problems can also occur with your Sparmatic Comet. The following information will help you eliminate errors.

Problem	Cause	Remedy
bAT	<ul style="list-style-type: none"> The batteries are weak. 	<ul style="list-style-type: none"> Change the batteries.
Radiator does not heat up.	<ul style="list-style-type: none"> Incorrect boiler temperature. The valve is calcified. 	<ul style="list-style-type: none"> Check and correct the boiler temperature. Remove your Sparmatic Comet and move the valve plunger back and forth several times.
Radiator does not cool down.	<ul style="list-style-type: none"> The valve does not close completely. The closing point of the valve seal has shifted. The valve is calcified. The seal is worn out. 	<ul style="list-style-type: none"> Adapt your Sparmatic Comet again, see Section 5.5 Adapting Sparmatic Comet on Page 16. Remove your Sparmatic Comet and move the valve plunger back and forth several times. – the valve may be calcified or the seal worn. Replace a seal that may be worn out.
The thrust piece has fallen out. (This can also cause error E1).	<ul style="list-style-type: none"> If your Sparmatic Comet is not installed on the valve, the thrust piece seated on the underside may fall out of the endless thread. 	<ul style="list-style-type: none"> Insert the thrust piece. Adapt your Sparmatic Comet again, see Section 5.5 Adapting Sparmatic Comet on Page 16. The endless thread turns and tightens the thrust piece. If necessary, carry out initial operation, see Section 5 Putting into Operation on Page 10.
		
E1-E3	Pressing any button clears the error indication in the display and the adaptation restarts.	
E1	No adaptation possible. Your Sparmatic Comet is not installed on the radiator.	Install your Sparmatic Comet correctly on the radiator.
E2	Valve stroke too short or battery power too low.	Open and close the valve plunger by hand several times or insert new batteries.
E3	No valve movement possible.	Press any button to acknowledge. Make sure that the valve plunger can move freely.

9 CLEANING AND STORAGE

Switch off your Sparmatic Comet and remove the batteries if you will not be using your Sparmatic Comet for a longer period of time. Store your Sparmatic Comet in a dry, dust-free place.



IMPORTANT!

Material damage possible!

Improper handling of your Sparmatic Comet may result in damage.

- ➔ Do not immerse your Sparmatic Comet in water or other liquids.
- ➔ Do not use aggressive cleaning agents, brushes with metal or nylon bristles or sharp or metallic cleaning objects such as knives, hard spatulas, etc. They can damage the surfaces.
- ➔ Clean your Sparmatic Comet with a soft, dry, lint-free cloth.
- ➔ Do not use cleaning agents or solvents.

10 APPENDIX

The following section contains information on technical data, customer service and other legal information.

10.1 TECHNICAL DATA

Designation	Sparmatic Comet
EAN	4260012710472
Article number	700012
Supply voltage	2× 1.5 V AA/LR6
Threaded connection	M30 × 1.5 mm
Display	LCD
Dimensions	84 mm × 65 mm × 54 mm
Weight	152 g (incl. batteries)
Permissible ambient temperature	5 to 55 °C
Surface temperature	max. 90 °C (on radiator)
Linear stroke	4.3 mm

Subject to technical changes at any time. Compatibility information provided without guarantee.

10.2 SUPPORT AND CONTACT

You can contact us for technical support.

We look forward to assisting you with your enquiry:

Phone: +49-(0)-6667-91847-0

E-mail: support@eurotronic.org

Customer service: **EUROtronic Technology GmbH**
Südweg 1
36396 Steinau-Ulmbach
Germany

10.3 DISPOSAL



INFORMATION

Please inform yourself about the options for returning old devices and used batteries free of charge at your retailer.

From the date of implementation of the European Directives 2012/19/EU into national law, the following applies:



Electrical and electronic devices as well as batteries may not be disposed of with household waste. The consumer is legally obliged to return electrical and electronic devices as well as batteries at the end of their service life to the public collection points set up for this purpose or to the point of sale. Details are regulated by the respective national laws.



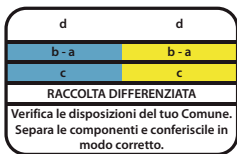
Non-rechargeable and rechargeable batteries may not be disposed of in household waste! As a consumer, you are legally obliged to hand in all non-rechargeable and rechargeable batteries, regardless of whether they contain harmful substances* or not, to a collection point in your municipality/district or to a retailer so that they can be disposed of in an environmentally friendly manner.

*Labelled with: Cd = Cadmium, Hg = Mercury, Pb = Lead



DISPOSAL OF PACKAGING:

Dispose of the packaging according to type. Dispose of cardboard and carton at waste paper collection points and foil at recyclables collection points. The symbols on your Sparmatic Comet, the operating instructions or the packaging refer to these regulations. With recycling, material recovery or other forms of recovery of used devices/batteries, you make an important contribution to the protection of our environment.



This symbol is only valid for Italy.

10.4 SIMPLIFIED DECLARATION OF CONFORMITY



The CE Mark on the device confirms conformity.

The Declaration of Conformity can be read online at: <https://eurotronic.org/service/downloads>

10.5 WARRANTY NOTICE

The warranty period is 24 months and begins on the day of purchase. Keep your receipt as proof of purchase. During the warranty period, defective energy-saving controllers can be sent to the service address with sufficient postage. To do this, contact our Customer Service before returning the item. You will then receive a new or repaired device in return free of charge. Repair or replacement of the device does not begin a new warranty period. Note that we only guarantee the functions of the device, not the functionality between the interaction of the device and the valve base.

The application-related technical data are only guaranteed together with the valves Heimeier, Junkers Landys+Gyr, MNG, Honeywell Braukmann thread dimension (M30x1.5), Oventrop (M30x1.5) Danfoss RA, RAV and RAVL. The unit combinations are specified on our website (www.eurotronic.org). When operating your Sparmatic Comet with third-party valves/adapters that are not listed, the functionality must be ensured by the user. EUROtronic does not provide warranty service in these cases.

After the warranty period has expired, you also have the option of sending the defective unit to the address provided, with sufficient postage, for the purpose of repair. Repairs required after the expiration of the warranty period are subject to a charge. Your statutory rights are not limited by this warranty.

10.6 MANUFACTURER

EUROtronic Technology GmbH

Südweg 1
36396 Steinau-Ulmbach
Germany



EUROtronic Technology GmbH
Südweg 1 | 36396 Steinau-Ulmbach | Germany
www.eurotronic.org