

Energy-Saving Controller Comet Zero Bluetooth

OPERATING INSTRUCTIONS



LEGAL NOTICE

Operating Instructions Energy-Saving Controller **Comet Zero** Bluetooth

Manufacturer

EUROtronic Technology GmbH
Südweg 1
36396 Steinau-Ulmbach
Germany
www.eurotronic.org

Status 2024.10

Version 1.0 / EN

Publisher

Ingenieurbüro FORMAT GmbH
Ebertstraße 80
26382 Wilhelmshaven
Germany
www.format-docu.de

Legal Information

All brand names and trademarks mentioned in this document and protected by third-party rights, are subject without restriction to the provisions of the applicable trademark law and the ownership rights of the respective registered owners. Comply with all local and regional laws and regulations as well as the safety regulations referred to in this document.

Copyright Notice

The contents of this document are protected by copyright.

The disclosure, transfer and any other distribution of the contents of this document to third parties, the making of copies, transcripts and other reproductions as well as utilisation and any other use are prohibited - even in part - without the prior, express and written consent of the author.

© 2024 All rights reserved.

CONTENTS



This operating instruction manual provides assistance for starting up and using the Comet Zero Bluetooth. Read these operating instructions carefully before using your Comet Zero Bluetooth. Keep this operating manual in a safe place and hand over all documents when passing the equipment on to third parties.

1	Safety Information.....	5
1.1	Depiction of Warnings.....	5
1.2	Warnings.....	6
2	Scope of Delivery.....	9
3	Overview.....	10
3.1	Proper Use.....	10
4	Controls and Display Elements.....	11
4.1	Operating Elements.....	12
4.2	Display Elements.....	13
5	Putting into Operation.....	14
5.1	Installing the Europrog 2 App.....	14
5.2	Inserting Batteries.....	15
5.3	Installing on Radiator.....	16
5.4	Adaptation.....	18
6	Operation & Functions.....	19
6.1	Adding a New Room.....	19
6.2	Adding New Device.....	21
6.3	Setting the Temperature in a Room.....	23
6.4	Device Settings.....	24
6.5	Customer Service.....	25
6.6	Operating Using the Device.....	26
6.7	Additional Functions.....	27
6.8	Resetting the Default Factory Settings.....	28
7	Disassembly.....	29
8	Troubleshooting.....	30
9	Cleaning and Storage.....	31

10	Appendix.	32
10.1	Technical Data	32
10.2	Adapter Overview	33
10.3	Support and Contact	35
10.4	Disposal.	35
10.5	Legal Information	36
10.6	Simplified Declaration of Conformity	36
10.7	Warranty Notice	36
10.8	Manufacturer	37

1 SAFETY INFORMATION

In addition to the safety information in these operating instructions, all other available sources must also be observed.

The areas of use defined in the written explanations of the **intended use** must be observed.

1.1 DEPICTION OF WARNINGS

The warnings used in these operating instructions have the following meaning:



WARNING!

There is a risk of serious injury or even fatal injury if the warning sign containing this signal word is ignored.

→ Probability of occurrence: possible



CAUTION!:

Moderate to minor personal injury may occur if warnings with this signal word are disregarded.

→ Probability of occurrence: possible



IMPORTANT!

Material damage can occur if warnings with this signal word are disregarded.

→ Probability of occurrence: possible



INFORMATION

Contains additional information.

1.2 WARNINGS

When operating the Comet Zero Bluetooth and its components, risks may arise that can be avoided by observing the following warnings.



WARNING!

Risk of fatal injury and accidents to infants and children!

There is a risk of suffocation from the device and packaging material.

- Never leave children unsupervised with the device or the packaging material. Children underestimate the risks involved. Always keep children away from the device and packaging material.
- Keep batteries out of reach of children. Should a battery be swallowed, seek medical attention immediately.



CAUTION!:

Risk of injury through exploding or leaking batteries!

Improper handling of batteries can lead to an explosion.

- Only use batteries of the type specified.
- Never attempt to charge non-rechargeable batteries.
- Switch the device off and remove the batteries if the device will not be used for a longer period.
- Do not heat batteries and do not throw them into open flames or water.
- Do not place batteries in direct sunlight.
- Protect batteries from excessive heat.
- Do not short-circuit batteries.
- Never dismantle batteries.
- Do not use new and used batteries together.
- When inserting the batteries, observe the correct polarity (+/-).
- Before inserting the batteries, clean the batteries and the contacts in the device.
- Avoid contact of battery acid with skin, eyes and mucous membranes.
- In case of contact with battery acid, immediately rinse the affected areas with clean water and consult a doctor.
- Remove dead batteries from the device.
- Remove batteries from the device before disposing of the device.
- Improper handling of batteries can have adverse effects on your health and the environment. Batteries can contain toxic and environmentally harmful heavy metals (Cd = cadmium, Hg = mercury, Pb = lead). Therefore, separate disposal and recycling of used batteries is essential for environmental and health reasons.



CAUTION!:

Burns caused by hot radiator valve!

Touching can cause burns to the hand.

- Allow the radiator to cool down before installing, disassembling or clearing faults on the device!
- Wear protective gloves



CAUTION!:

Risk of injury due to malfunction!

Malfunctions can lead to injuries.

- Never carry out repairs to the device yourself.
- Do not open the device.
- Do not short-circuit the connection terminals of the device.
- Do not carry out any modifications or conversions on your device.
- Do not use the device if it is damaged.
- In the event of an error, contact Customer Service.



IMPORTANT!

Material damage and malfunction possible!

The device can be used by children from the age of 8 and persons with restricted physical, sensory or mental capabilities or a lack of experience and knowledge when they are supervised or if they have been instructed on safe use of the device and understand the potential dangers involved.

- Children must not be allowed to play with the device.
- Cleaning and user maintenance must not be carried out by children without supervision.



IMPORTANT!

Material damage and malfunction possible!

Environmental influences can affect the functions of the device.

- Keep the device away from direct sunlight.
- Only use the device in a dry, dust-free environment.
- Use only original accessories.
- Do not operate the device if it is damaged.



IMPORTANT!

Material damage and malfunction possible!

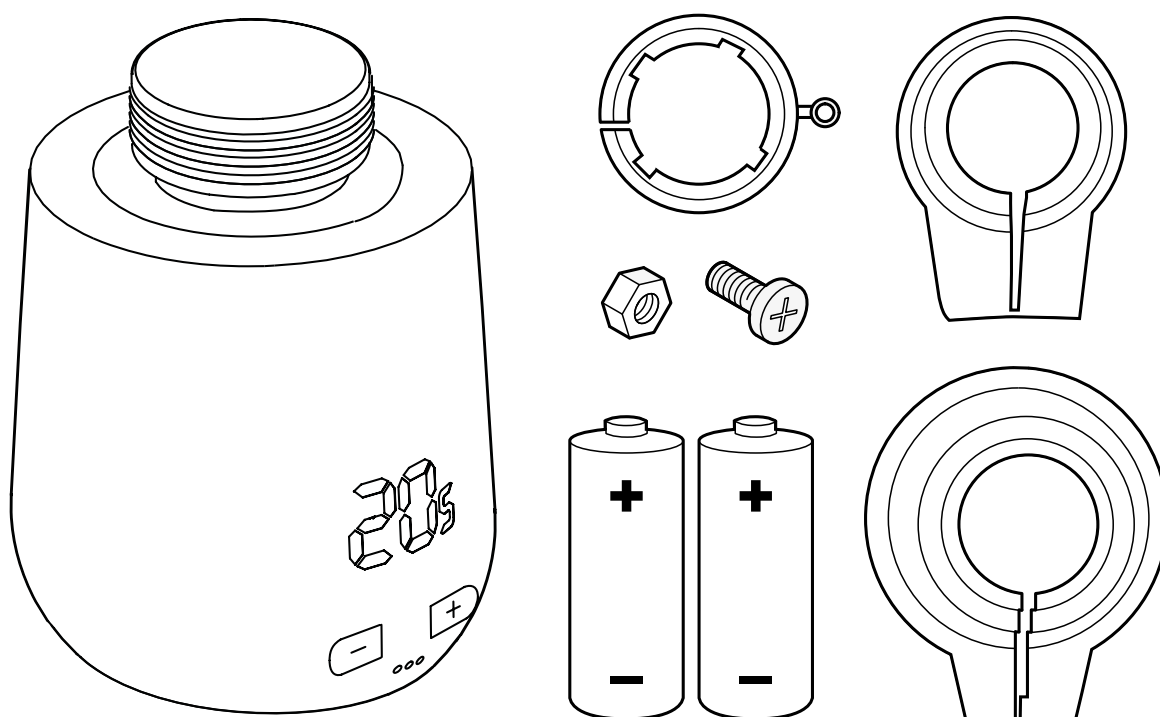
Damaged components and/or malfunctions prevent the device from working properly.

- If material damage and/or malfunctions occur, contact the Customer Service of Eurotronic Technology GmbH.

2 SCOPE OF DELIVERY

Check the items supplied for completeness as well as for visual and technical defects before putting the Comet Zero Bluetooth into operation.

- 1× Comet Zero Bluetooth energy-saving controller
- 1× Quick Guide
- 1× adapter set (Danfoss RA / RAV* / RAVL)
- 1× screws and 1× nuts for adapter
- 2× AA/LR6 batteries



IMPORTANT!

Material damage and malfunction possible!

Damaged components and/or malfunctions prevent the device from working properly.

- ➔ If material damage and/or malfunctions occur, contact the Customer Service of Eurotronic Technology GmbH.

*When using the RAV adapter, the RAV pin is required to extend the valve plunger.

3 OVERVIEW

Thank you for choosing a product from EUROtronic Technology GmbH. The Comet Zero Bluetooth is an energy-saving thermostat for radiators equipped with the Bluetooth wireless standard providing modern, simple operation. It automatically regulates the room temperature according to your specifications and can be configured either directly on the controller or conveniently via a smartphone. Your Comet Zero Bluetooth helps you to effectively reduce your heating costs.

Development and production are 100% "Made in Germany", which guarantees premium quality and technology. These operating instructions will help you to get your Comet Zero Bluetooth up and running quickly and easily.



INFORMATION

The drawings in these instructions are for the purpose of illustration and are not necessarily to scale. Product designations and pictograms on screenshots may differ from the actual product. EUROtronic Technology GmbH reserves the right to change the design or dimensions without prior notice.

3.1 PROPER USE

The Comet Zero Bluetooth is used to regulate a heater radiator valve indoors. It is forbidden to carry out any unauthorised modifications, conversions and repairs. Do not use rechargeable batteries

Any use other than that described here is considered unintended use and will result in the loss of rights related to the terms of guarantee and exemption of liability. The Comet Zero Bluetooth is intended for private use only.



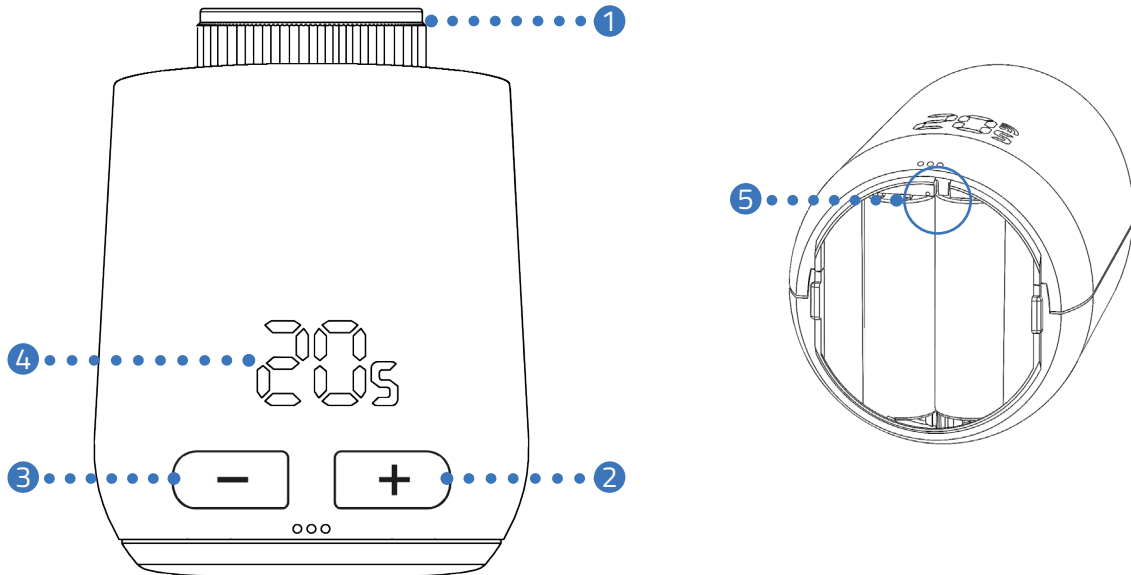
Reduce heating costs
with energy-efficient control.

Connection via Bluetooth
Control and configuration via Bluetooth.

Easy assembly
without intervention in the heating water circuit.


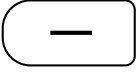



4 CONTROLS AND DISPLAY ELEMENTS

The following section describes the operating and display elements of the Comet Zero Bluetooth.

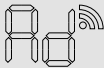
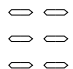

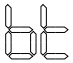
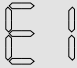

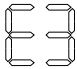



- ① Union nut
- ② + button (increase temperature)
- ③ - button (decrease temperature)
- ④ Display
- ⑤ Reset button

4.1 OPERATING ELEMENTS

Button	Action	Function
	Press briefly	Lower the temperature by 0.5 °C.
	Press and keep pressed	Lower the temperature by 0.5 °C, then lower the temperature by 0.5 °C every 0.5 sec. until the lowest temperature is reached or the button is released.
	Press briefly	Raise the temperature by 0.5 °C.
	Press and keep pressed	Raise the temperature by 0.5 °C, then raise the temperature by 0.5 °C every 0.5 sec. until the highest temperature is reached or the button is released.
Reset button	Press and keep pressed for 10 sec.	The Comet Zero Bluetooth is reset to its default factory settings.
	Press both buttons for 3 sec.	Activate/Deactivate the key lock function.

4.2 DISPLAY ELEMENTS

Symbol	Designation	Function
	Adaptation	Indicates that adaptation to the radiator valve can be started.
	Animation	Indicates that adaptation is active, the process can take a little while.
	Animation	Indicates that the key lock function has been activated or deactivated.
	Low battery charge	Indicates that the battery charge status is under 25%.
	Error message	Indicates that the error E1 has occurred, see  in Section 8 Troubleshooting on Page 30 .
	Error message	Indicates that the error E3 has occurred, see  in Section 8 Troubleshooting on Page 30 .

5 PUTTING INTO OPERATION

The Comet Zero Bluetooth must be installed on the radiator before connecting it to the **EUROprog 2** app.

5.1 INSTALLING THE EUROPROG 2 APP

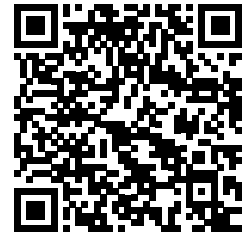
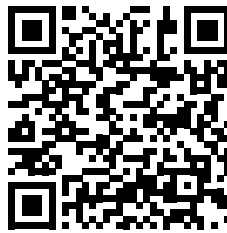
The **EUROprog 2** app enables you to access all the functions provided by the Comet Zero Bluetooth.

1. Download the **EUROprog 2** app from Google Play (Android) or the App Store (iOS).
2. Install the app on your smartphone.

System requirements:

Android from version 6.0

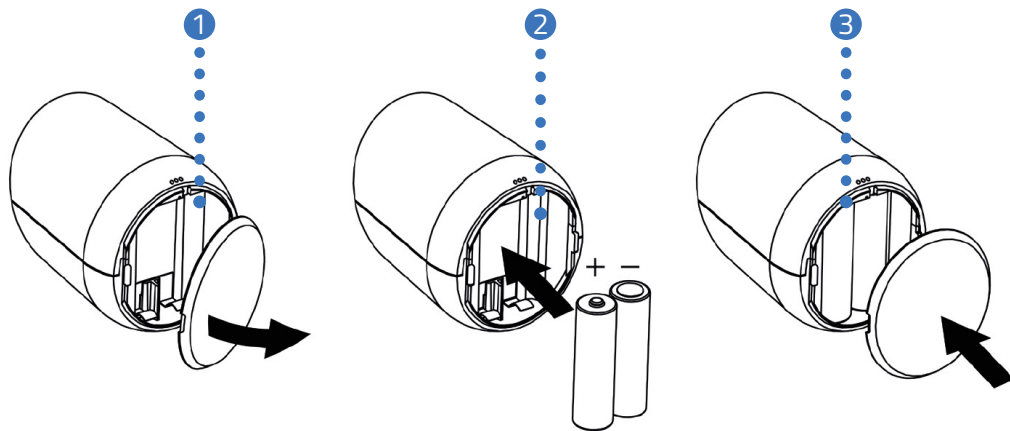
iOS from version 13



INFORMATION

During the initial set-up of the app, requests are made as to whether the app is granted authorisation to access functions (e.g. GPS location) of your smartphone. Allow access to use the full range of functions of your Comet Zero Bluetooth.

5.2 INSERTING BATTERIES



1. Open the battery compartment cover.
2. Insert the batteries provided as shown.
Pay attention to the correct polarity and do not use rechargeable batteries!
3. Close the battery compartment cover.
 - ➔ The battery compartment cover audibly clicks into place.
 - ➔ You have successfully inserted the batteries.

5.3 INSTALLING ON RADIATOR

When **Ad** appears in the display, install the Comet Zero Bluetooth on the radiator required.

The Comet Zero Bluetooth can be installed on all common valve bodies (see the adapter list at <https://eurotronic.org/produkte/kategorie/adapter-zubehoer/>).

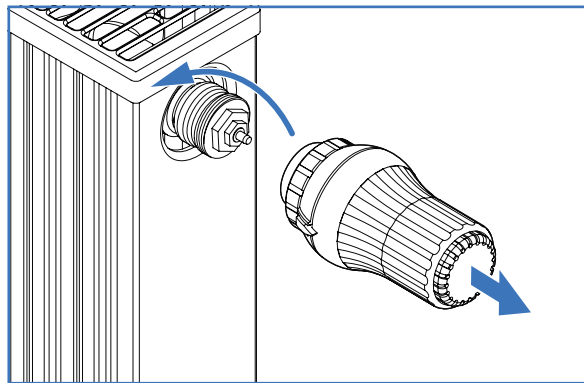


CAUTION!:

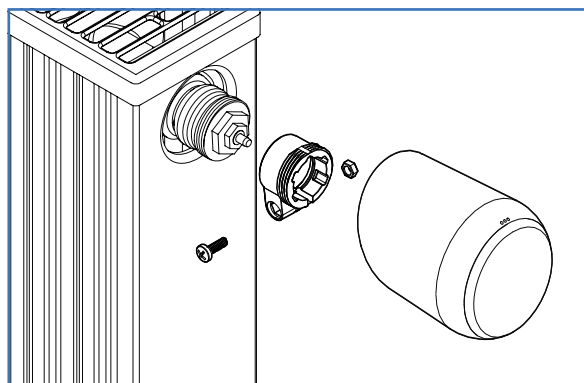
Burns caused by hot radiator valve!

Touching can cause burns to the hand.

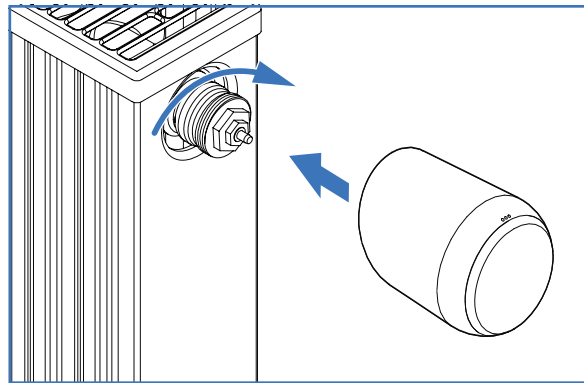
- ➔ Do not touch hot radiator valves!
- ➔ Allow the radiator to cool down before installing, disassembling or clearing faults on the device!




1. Open the current thermostatic head completely.
2. Loosen the fastening and pull the thermostatic head off the radiator.



3. Optional: Select a suitable adapter from the scope of delivery. For additional information on the adapters, please see the  Section **10.2 Adapter overview on Page 33**.



4. Connect the Comet Zero Bluetooth on the radiator and turn the union nut clockwise.
 - You have successfully installed the Comet Zero Bluetooth.
 - Following installation, start the adaptation, see  Section **5.4 Adaptation on Page 18**.



INFORMATION

When installing/removing your Comet Zero Bluetooth at a later date, please note that it must be in adaptation mode. To do this, open the battery compartment cover and remove the batteries. Replace the batteries after approx. 10 seconds and close the battery compartment cover. The Comet Zero Bluetooth restarts and is in adaptation mode. **Ad** appears in the display.

5.4 ADAPTATION

After successful installation, the Comet Zero Bluetooth can begin with the adaptation. The condition is that **Ad** appears in the display of the Comet Zero Bluetooth.

1. To start the adaptation, simultaneously press and hold the **+ button** and **- button** on the Comet Zero Bluetooth for approx. 3 seconds.
 - An animation appears in the display during the course of the process.
 - During the adaptation process, the Comet Zero Bluetooth adapts to the stroke of the lower valve section. For this purpose, the valve is opened and closed several times to detect the respective end points. The process may take a moment. After successful adaptation, the Comet Zero Bluetooth switches to normal operation.
 - The set temperature (16 °C) is displayed.

If a problem occurs with the Comet Zero Bluetooth, a new adaptation is necessary.



INFORMATION

If any errors occur, press the **- button** or **+ button** to confirm the error message and repeat the process.

Complete the following working steps:

1. Open the battery compartment cover.
2. Remove the batteries and wait for 10 seconds.
3. Then reinsert the batteries.
Pay attention to the correct polarity and do not use rechargeable batteries!
4. Close the battery compartment cover.
 - The Comet Zero Bluetooth restarts and is then in adaptation mode.
 - **Ad** appears in the display.
5. To start the adaptation, simultaneously press and hold the **+ button** and **- button** on the Comet Zero Bluetooth for approx. 3 seconds.
 - An animation appears in the display during the course of the process.



INFORMATION

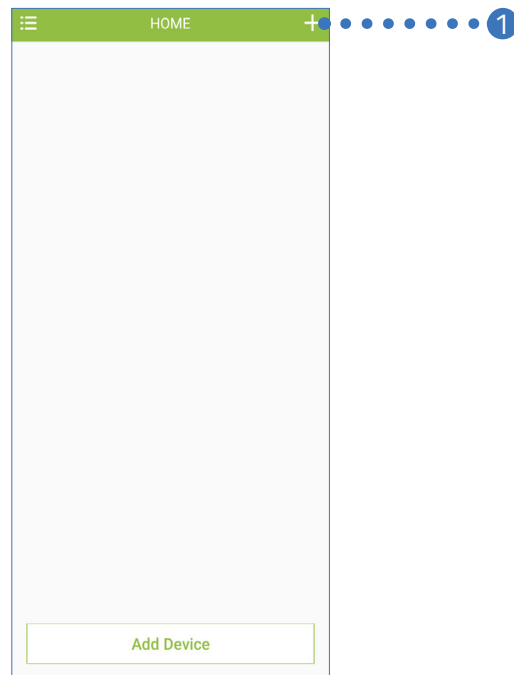
The Comet Zero Bluetooth must be adapted again each time the battery has been changed.

6 OPERATION & FUNCTIONS

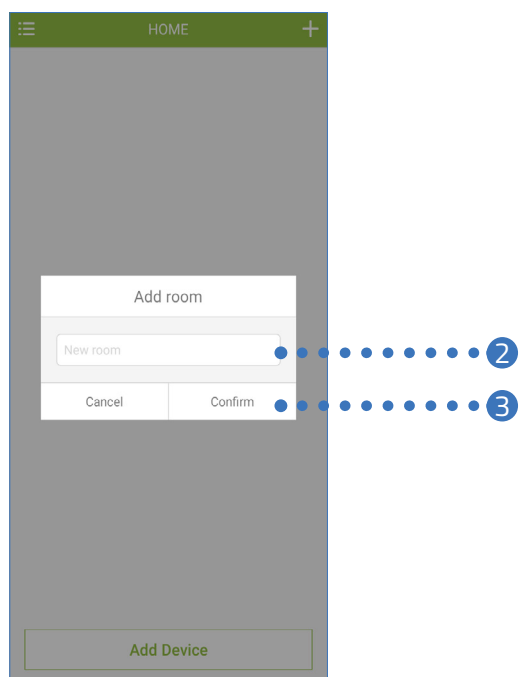
The following section describes operation of the Comet Zero Bluetooth and other functions it provides.

6.1 ADDING A NEW ROOM

When installation and adaptation have been completed successfully, you can continue setting up the app.

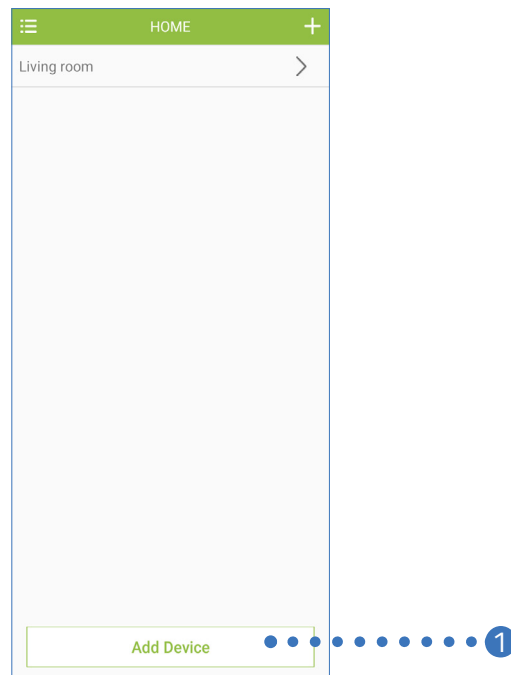


1. Tap on the + button to create a new room.



2. Enter a name for the room in the input field.
3. Tap on the **Confirm** button.
 - ➔ You have created a new room.
 - ➔ The new room is displayed main view.

6.2 ADDING A NEW DEVICE



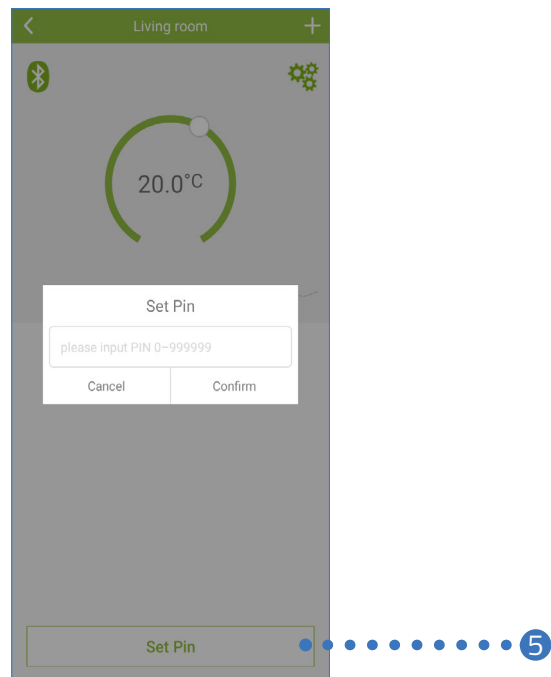
1. Tap on the **Add Device** button to create a new device.
→ The Comet Zero Bluetooth is displayed in the device list as "**Comet Blue**".



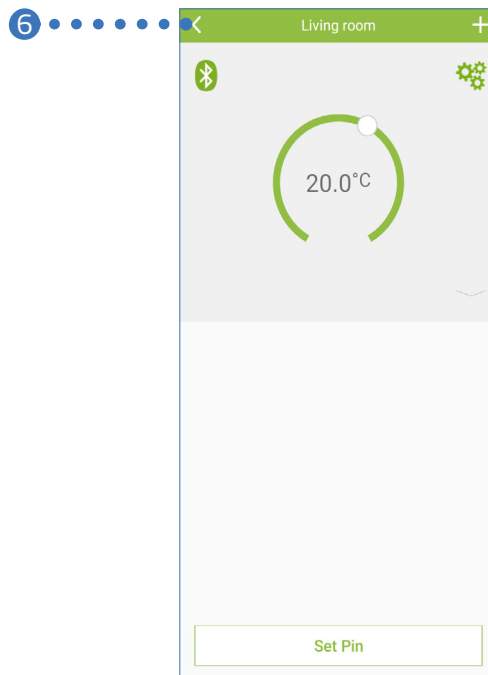
INFORMATION

If the Comet Zero Bluetooth does not appear in the device list, remove the batteries and then insert them again.

2. Tap on "**Comet Blue**" in the device list.
3. Select a room in order to assign the Comet Zero Bluetooth.
4. Tap on the **Confirm** button.
→ You have added the Comet Zero Bluetooth successfully.

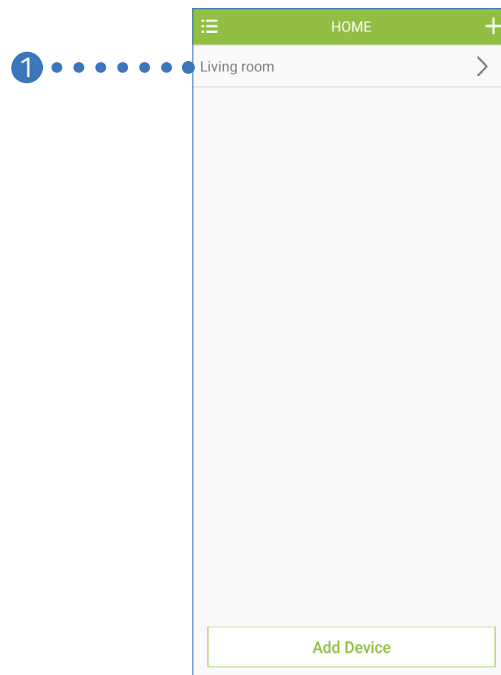


5. Alternatively, tap on the **Set PIN** button in order to assign a PIN to the device and then tap on the **Confirm** button.

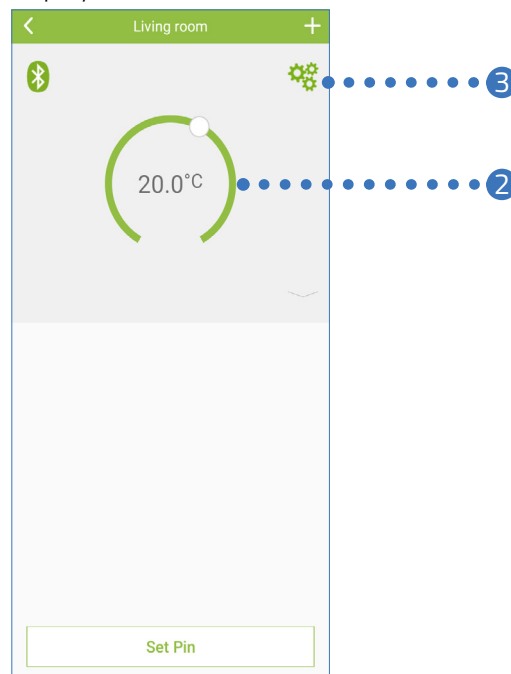



6. Tap on the < button to switch to the main view.

6.3 SETTING THE TEMPERATURE IN A ROOM

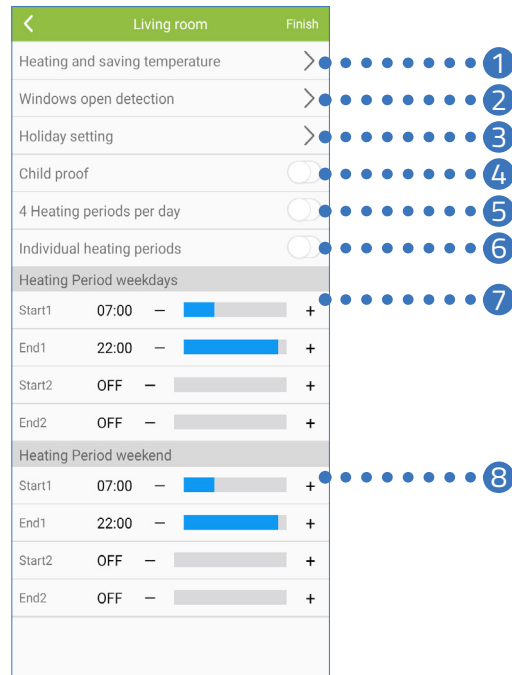


1. Tap on the desired room (e.g. living room).
→ The temperature currently set is displayed.



2. Adapt the temperature as required using the adjusting wheel. The temperature selected is transferred directly to the Comet Zero Bluetooth.
3. Define other device settings as required, see  Section **6.4 Device Settings** on Page 24.

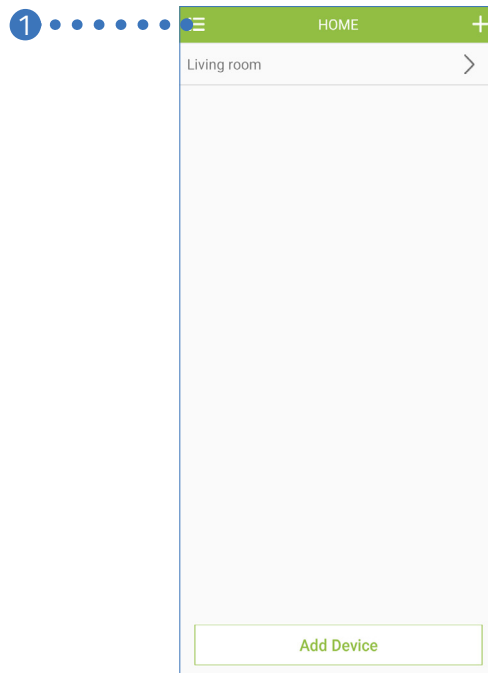
6.4 DEVICE SETTINGS



- | | |
|---|--|
| <ul style="list-style-type: none"> ① Set: Heating and reduced temperatures:
Reduced, Heating, Offset ② Set: Window open detection:
Sensitivity, Duration ③ Set: Holiday setting:
Start time, End time, Temperature ④ Activate/Deactivate: Child proof | <ul style="list-style-type: none"> ⑤ Activate/Deactivate: 4 heating periods per day ⑥ Activate/Deactivate: Individual heating periods ⑦ Set: Heating period weekdays*:
Start time, End time, Temperature ⑧ Set: Heating period weekend*:
Start time, End time, Temperature |
|---|--|

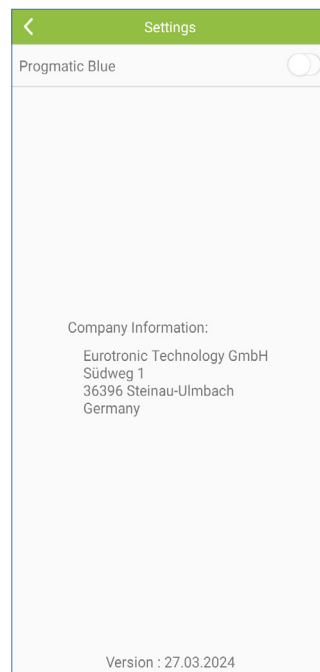
*The display of the weekdays/weekend is replaced by the display of all the weekdays (Monday - Sunday) if the "4 heating periods per day" function is activated.

6.5 CUSTOMER SERVICE



1. Tap on the Menu button.

→ The contact information and firmware version of the app appear in the display.



6.6 OPERATING USING THE DEVICE

MANUAL OPERATION

It is possible to change the temperature manually using the buttons on the Comet Zero Bluetooth. The temperature range is between 8 - 28 °C. If the temperature is increased or reduced beyond the limits, the Comet Zero Bluetooth switches to Boost mode or Off mode.

Manual adjustment of the temperature sets the Comet Zero Bluetooth to Heating mode.

CHANGING OPERATING MODES

Off mode

Press the **- button** until **--** appears in the display. The heater valve is closed fully.

Heating mode


If you change the target temperature using the **+ button** or **- button**, the Comet Zero Bluetooth switches to heating mode.

Boost mode

Press the **+ button** until **ON** appears in the display. The heater valve is opened fully.

6.7 ADDITIONAL FUNCTIONS

VENTILATION DETECTION

If the temperature drops sharply due to a window being open, the Comet Zero Bluetooth automatically closes the heating valve to save energy. You can activate and deactivate the **Window-open detection** function in the **EUROprog 2** app. Adjust the settings if necessary, see  Section **6.4 Device Settings on Page 24**.

OFFSET (TEMPERATURE ADJUSTMENT)

If the temperature felt differs from the set temperature, you can perform a temperature adjustment. Adjust the settings if necessary, using the app, see  Section **6.4 Device Settings on Page 24**.

FROST AND LIME PROTECTION

The frost protection and limescale protection functions are automatically active.

Frost protection: If the temperature in a room drops below 6° C, the frost protection function of the Comet Zero Bluetooth is automatically activated. -- appears in the display. In this case, the Comet Zero Bluetooth opens the valve until the temperature rises above 8 °C. This prevents the radiators from freezing.

Lime protection: To prevent the radiator valves from calcifying, the Comet Zero Bluetooth executes the limescale protection function every Friday at 11:00 a.m.

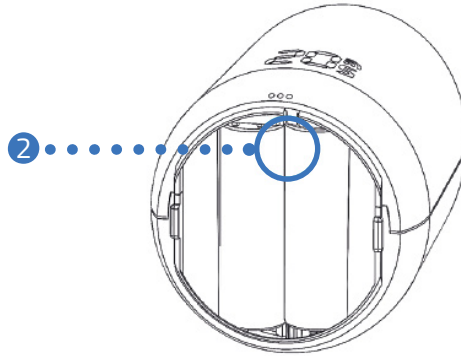
KEY LOCK

You can activate the key lock function directly on the Comet Zero Bluetooth or, if necessary, via the app, see  Section **6.4 Device Settings on Page 24**.

1. Press and hold the **+ button** and **- button** simultaneously for 3 seconds.
→ An animation is shown on the display.
2. To deactivate, press and hold the **+ button** and the **- button** simultaneously for a few seconds. Wait until the animation on the display disappears.

6.8 RESETTING THE DEFAULT FACTORY SETTINGS

If problems occur, it may be helpful to reset your Comet Zero Bluetooth to the factory settings.



1. Open the battery compartment cover.
2. Press and hold the **Reset button** located in the battery compartment.
→ A timer appears in the display which counts up to 10.
3. When 10 appears in the display, release the **Reset button** located in the battery compartment.
→ You have now reset your Comet Zero Bluetooth to its factory settings.

7 DISASSEMBLY

If necessary, you can disassemble the Comet Zero Bluetooth from the radiator valve.

Ensure that the following conditions are fulfilled:

- The batteries have been inserted in the Comet Zero Bluetooth.
- **AD** appears in the display.

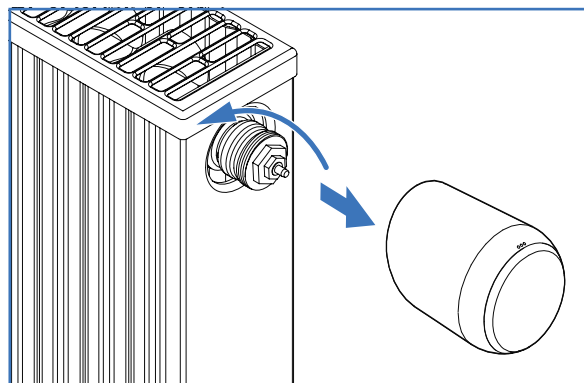


CAUTION!:

Burns caused by hot radiator valve!

Touching can cause burns to the hand.

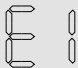
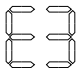
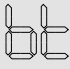
- ➔ Do not touch hot radiator valves!
- ➔ Allow the radiator to cool down before installing, removing or servicing the Comet Zero Bluetooth!



1. Turn the union nut anti-clockwise.
2. Pull the Comet Zero Bluetooth from the radiator valve (see illustration).
 - ➔ The Comet Zero Bluetooth has been disassembled.

8 TROUBLESHOOTING

Problems can arise with the Comet Zero Bluetooth. The following information will help you clear any errors.

Problem	Cause	Remedy
The radiator does not heat up.	The boiler water temperature is too low or the radiator valve could be calcified and, as a result, cannot open.	<ul style="list-style-type: none"> ▪ Raise the boiler water temperature. ▪ Disassemble the Comet Zero Bluetooth. Move the valve plunger in and out with an appropriate tool to loosen any calcification. ▪ Assemble the Comet Zero Bluetooth on the radiator valve again.
The radiator does not cool down.	The radiator valve does not close fully. It is possible that the closing point of the valve seal has moved.	<ul style="list-style-type: none"> ▪ Disassemble the Comet Zero Bluetooth. ▪ Move the valve plunger in and out several times with an appropriate tool to loosen any calcification. ▪ Assemble the Comet Zero Bluetooth on the radiator valve again.
The pressure piece drops out.	If your Comet Zero Bluetooth is not installed on the valve, the pressure piece fitted on the underside can fall out of the endless thread, .	<ul style="list-style-type: none"> ▪ Remove the batteries from the Comet Zero Bluetooth. ▪ Insert the pressure piece in the Comet Zero Bluetooth. ▪ Insert the batteries in the Comet Zero Bluetooth.
ER, E1-E3	Pressing any button clears the error indication in the display and the adaptation restarts.	
	The radiator valve is not installed or not detected.	<ul style="list-style-type: none"> ▪ Press any button to confirm. ▪ Ensure that the Comet Zero Bluetooth has been installed correctly on the radiator. ▪ Use the appropriate adapter.
	The valve cannot be moved or the radiator valve jams.	<ul style="list-style-type: none"> ▪ Ensure that the Comet Zero Bluetooth has been installed correctly on the radiator and the valve plunger can move freely.
	The batteries are weak.	<ul style="list-style-type: none"> ▪ Change the batteries.

9 CLEANING AND STORAGE

Switch the Comet Zero Bluetooth off and remove the batteries if you will not be using your Comet Zero Bluetooth for a longer period of time. Store the Comet Zero Bluetooth in a dry, dust-free location.



IMPORTANT!

Material damage possible!

Improper handling of the device can lead to damage.

- ➔ Do not immerse the device in water or other liquids.
- ➔ Do not use any brushes with metal or nylon bristles or sharp or metallic cleaning tools such as knives, hard spatulas and such. They can damage the surfaces.
- ➔ Clean the device with a soft, dry, lint-free cloth.
- ➔ Do not use cleaning agents or solvents.

10 APPENDIX

The following sections contain information on technical data, customer service and other legal information.

10.1 TECHNICAL DATA

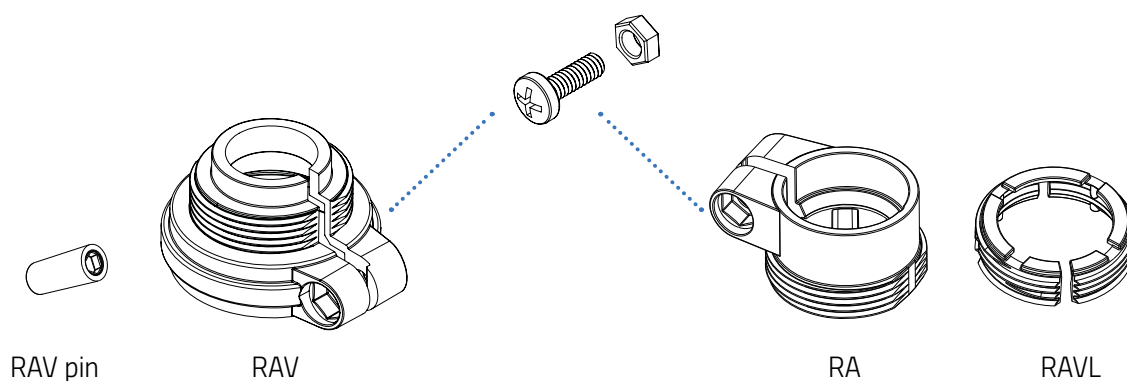
The list below contains technical data concerning the Comet Zero Bluetooth:

Designation	Comet Zero Bluetooth
Article number	700254
EAN number	4260012712605
Supply voltage	2 × batteries, 1.5 V AA/LR6
Threaded connection	M30 × 1.5 mm
Method of operation	Type 1
Dimensions	62 × 68 × 83 mm
Weight	161 g (incl. batteries)
Protection class	IP 20
Degree of contamination	2
Bluetooth frequency	2400 - 2483.5 GHz
Maximum transmission power	-20 dBm - +20 dBm

Subject to technical changes at any time. Compatibility information provided without guarantee.

10.2 ADAPTER OVERVIEW

The following overview contains information about the valves and the required adapters. The adapters for Danfoss RAV, Danfoss RA and Danfoss RAVL are included with your Comet Zero Bluetooth. When using the Danfoss RAV adapter, the RAV pin must be inserted on the valve plunger.

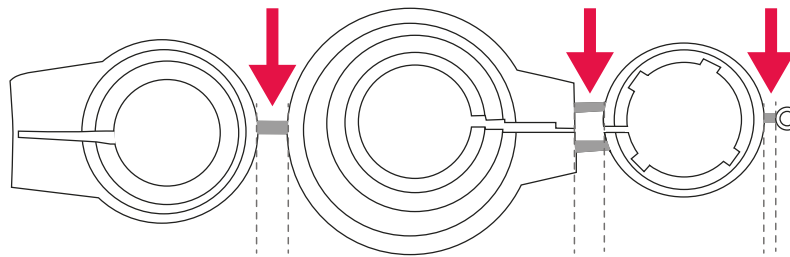


Valve	Thread dimension	Adapter
Heimeier	M30 × 1.5 mm	Not required
Junkers Landys+Gyr	M30 × 1.5 mm	Not required
MNG	M30 × 1.5 mm	Not required
Honeywell	M30 × 1.5 mm	Not required
Braukmann	M30 × 1.5 mm	Not required
Herz	M28 × 1.5 mm	Required; not in scope of delivery
Comap	M28 × 1.5 mm	Required; not in scope of delivery
Vaillant	30.5 mm	Required; not in scope of delivery
Oventrop	M30 × 1.0 mm	Required; not in scope of delivery
Meges	M38 × 1.5 mm	Required; not in scope of delivery
Ondal	M38 × 1.5 mm	Required; not in scope of delivery
Giacomini	22.6 mm	Required; not in scope of delivery
Rosswainer	M33 × 2.0 mm	Required; not in scope of delivery
Markaryd	M28 × 1.0 mm	Required; not in scope of delivery
Ista	M32 × 1.0 mm	Required; not in scope of delivery
Vama	M28 × 1.0 mm	Required; not in scope of delivery
Pettinaroli	M28 × 1.5 mm	Required; not in scope of delivery
T+A	M28 × 1.5 mm	Required; not in scope of delivery
Gampper 1/2/6	M20	Required; not in scope of delivery
Danfoss RA/RAV/RAVL	25.5/30.5/30 mm	Included in scope of delivery



INFORMATION

Remove the connecting pieces of the plastic adapters (see illustration) before using one of the adapters included. Use the screw and nut enclosed when using the Danfoss RAV and Danfoss RA adapters.



CAUTION!:

Danger of being cut!

The adapters supplied and the plunger extension are connected by plastic bars. Fractures may be sharp-edged.

→ Be careful not to cut your fingers during installation!



CAUTION!:

Danger of becoming trapped between the adapter halves!

Carelessness when using adapters can lead to injuries.

→ Take care not to become trapped between the adapter halves during installation!

You can purchase further metal adapters for a fee from our partners. You will find an overview of the metal adapters and corresponding ordering options under the following link:

<https://eurotronic.org/produkte/zubehoer/metalladapter/>

10.3 SUPPORT AND CONTACT



You can contact us for technical support.
We look forward to assisting you with your enquiry:

Phone: +49-(0)-6667-91847-0

E-mail: support@eurotronic.org

Customer service: **EUROtronic Technology GmbH**
Südweg 1
36396 Steinau-Ulmbach
Germany

10.4 DISPOSAL



INFORMATION

Please inform yourself about the options for returning old devices and used batteries free of charge at your retailer.



The adjacent symbol indicates that electrical and electronic apparatus no longer required must be disposed of separate from domestic waste in accordance with legal directives. Dispose of the device at a collection point provided by your municipal waste authorities.



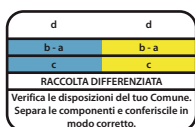
Defective or spent batteries must be recycled according to Directive 2006/66/EC. Return batteries and / or the device via the recycling services offered.



Observe the identifications on the packaging when sorting the waste materials; the identifications are comprised of abbreviations (a) and numbers (b) and have the following significance: 1–7: plastics / 20–22: paper and cardboard / 80–98: composite materials.



Dispose of the packaging according to type. Dispose of cardboard and carton at waste paper collection points and foil at recyclables collection points. By recycling, material recovery or other forms of recycling, you are making an important contribution to protecting our environment.



The logo only applies to Italy.


10.5 LEGAL INFORMATION

The Bluetooth® word mark and logos are registered trademarks owned by Bluetooth SIG, Inc. and any use of such marks by Eurotronic Technology GmbH is under license. Other trademarks and trade names are those of their respective owners.

The Apple Logo, iPad and iPhone are trademarks of Apple Inc. which are registered in the USA and other countries. App Store is a service mark of Apple Inc.

Google Play, Android and other trademarks are trademarks of Google Inc.

10.6 SIMPLIFIED DECLARATION OF CONFORMITY

 EUROtronic Technology GmbH hereby declares that the radio equipment type Comet Zero Bluetooth complies with 2014/53/EU. The entire text of the EU Declaration of Conformity is available at the following Internet address: <https://eurotronic.org/service/downloads>

10.7 WARRANTY NOTICE

The warranty period is 24 months and begins on the day of purchase. Keep your receipt as proof of purchase. During the warranty period, defective energy-saving controllers can be sent to the service address with sufficient postage. To do this, contact our Customer Service before returning the item. You will then receive a new or repaired device in return free of charge. Receipt of a repaired or replacement of the device does not begin a new warranty period. Please note that we guarantee the functions of the device, not the functionality between the interaction of the device and the valve body.

The application-related technical data is only guaranteed together with the valves Heimeier, Junkers Landys+Gyr, MNG, Honeywell Braukmann thread dimension (M30x1.5), Oventrop (M30x1.5) Danfoss RA, RAV and RAVL. The device combinations can be viewed at our website (<https://eurotronic.org/service/faq>). If you operate the Comet Zero Bluetooth with third-party valves/adapters that are not listed, the reliability of the functions must be ensured by the user. EUROtronic does not provide warranty service in these cases.

After the warranty period has expired, you retain have the option of sending the device to the address provided for repair, ensuring sufficient postage. Repairs required after the expiration of the warranty period are subject to a charge. Your statutory rights are not limited by this warranty.

10.8 MANUFACTURER

EUROtronic Technology GmbH

Südweg 1, 36396 Steinau-Ulmbach
Germany

+49 (0) 6667 91847-0

support@eurotronic.org

www.eurotronic.org



EUROtronic Technology GmbH
Südweg 1 | 36396 Steinau-Ulmbach | Germany
www.eurotronic.org